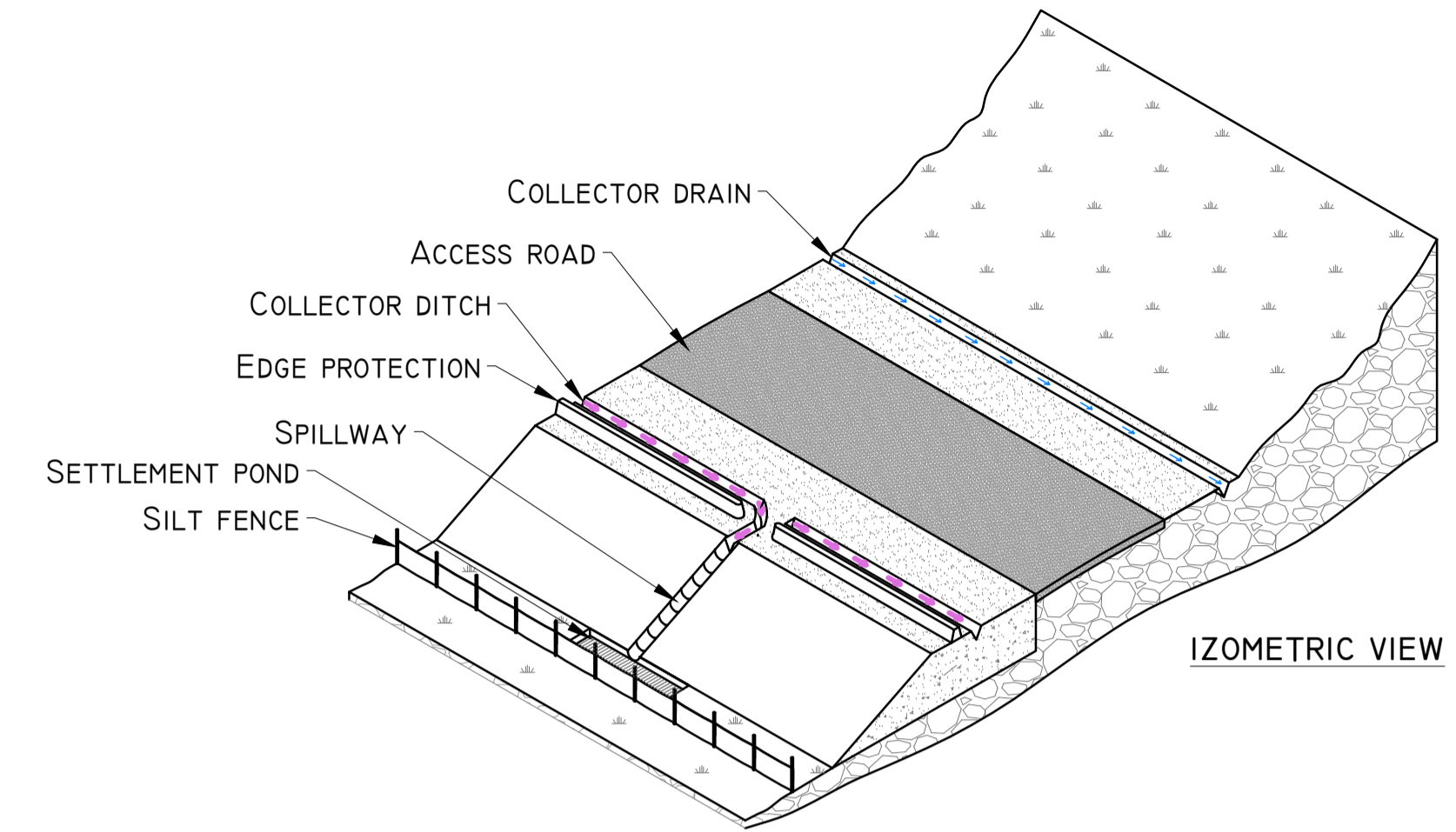
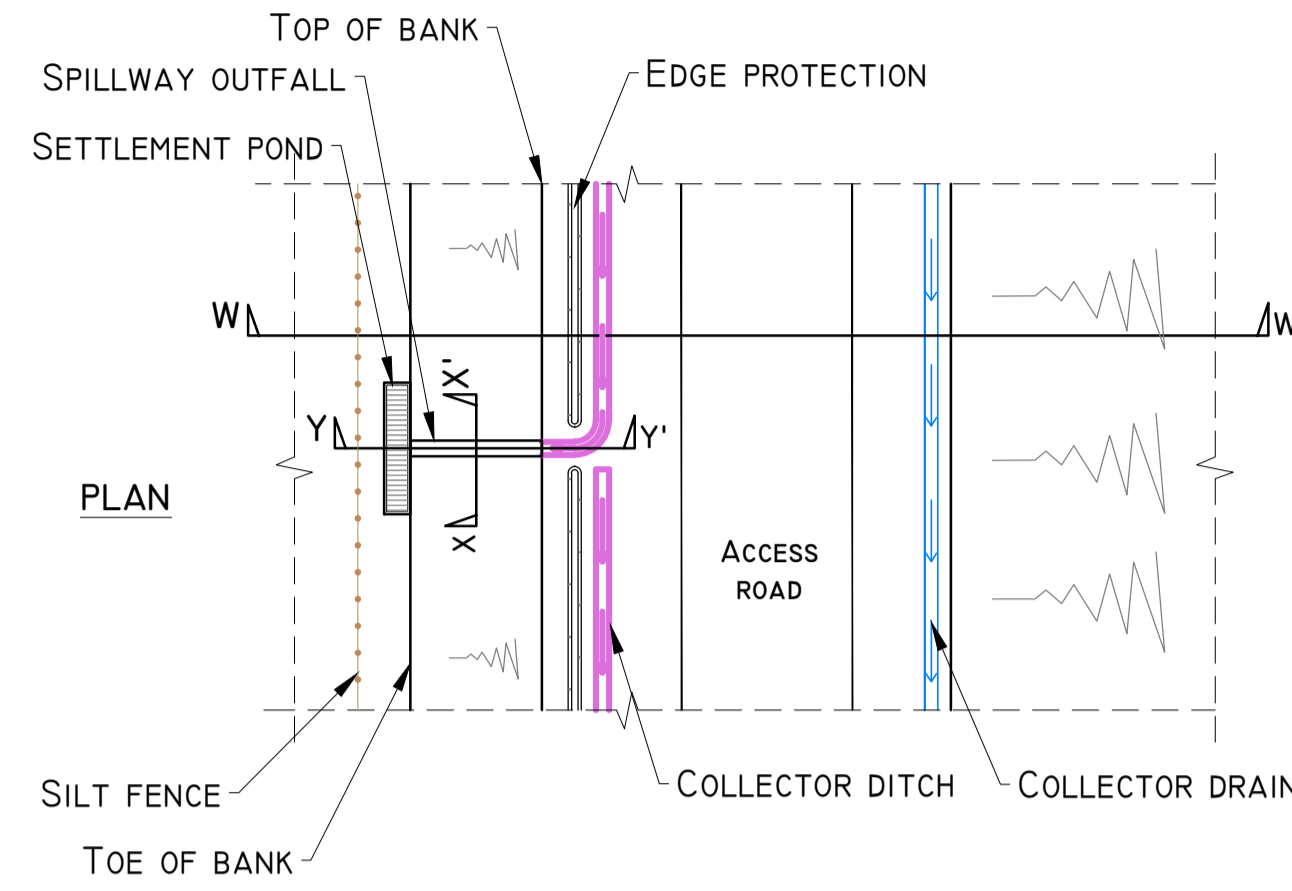
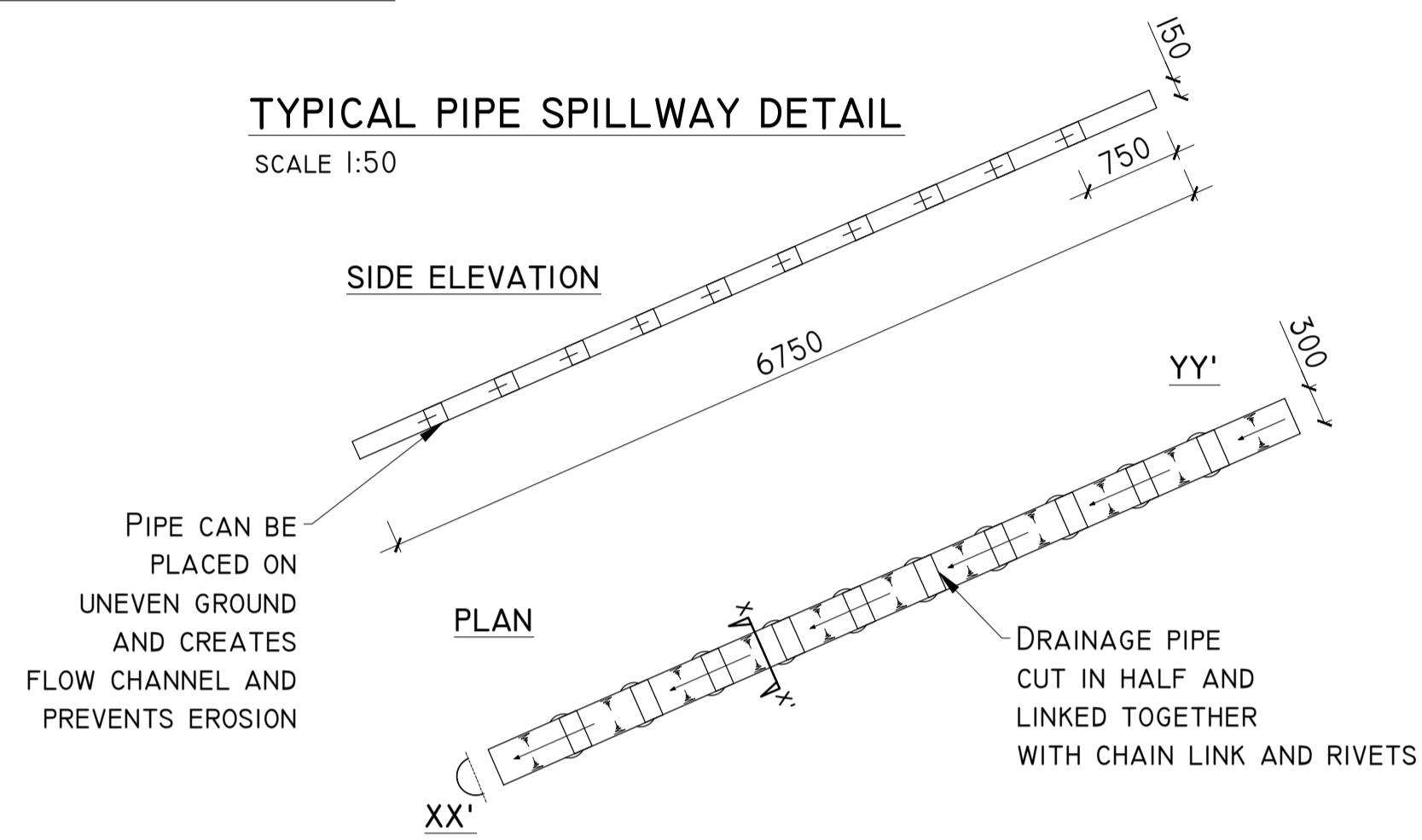


PROJECT DESIGN DRAWING NOTES
 1. DRAWINGS ISSUED ARE FOR PLANNING STAGE ONLY.
 2. COPYRIGHT, ALL RIGHTS RESERVED. NO PART HERE WITH MAY BE COPIED OR REPRODUCED PARTIALLY OR WHOLLY IN ANY FORM WHATSOEVER WITHOUT THE PRIOR NOTICE OF THE COPYRIGHT OWNER HYDRO-ENVIRONMENTAL SERVICES.
 3. DO NOT SCALE OFF THIS DRAWING. FIGURED METRIC DIMENSIONS ONLY SHOULD BE TAKEN OFF THIS DRAWING.

DETAIL G

TYPICAL PIPE SPILLWAY DETAIL

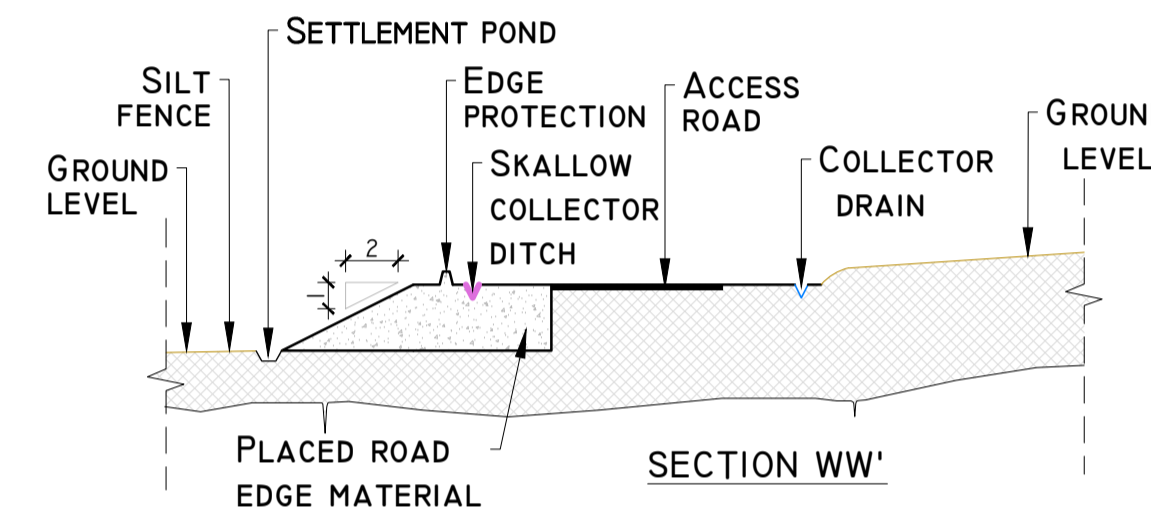
SCALE 1:50



SPILLWAY OUTFALL PLAN

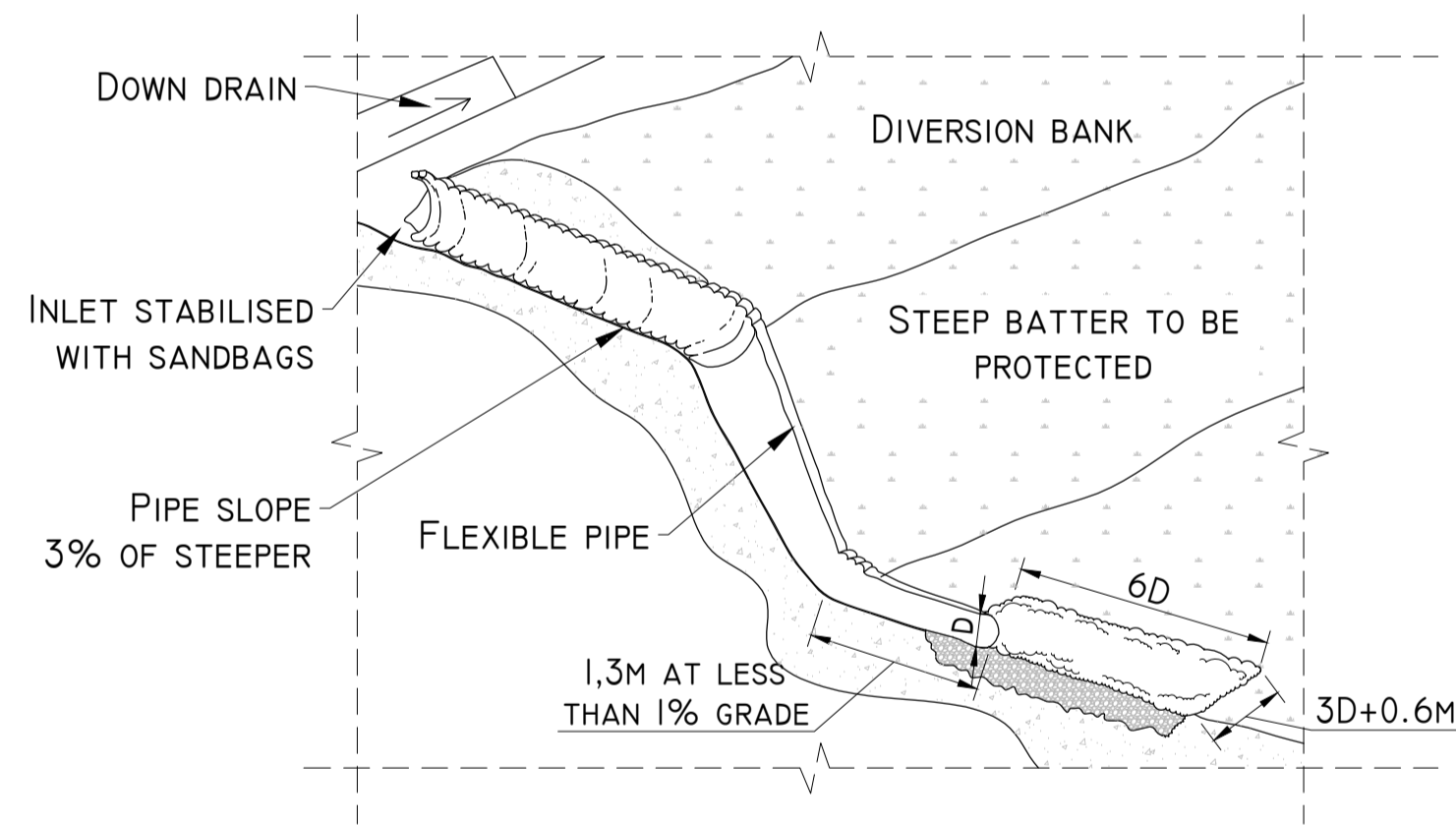
SCHEMATIC - NOT TO SCALE

DETAIL H



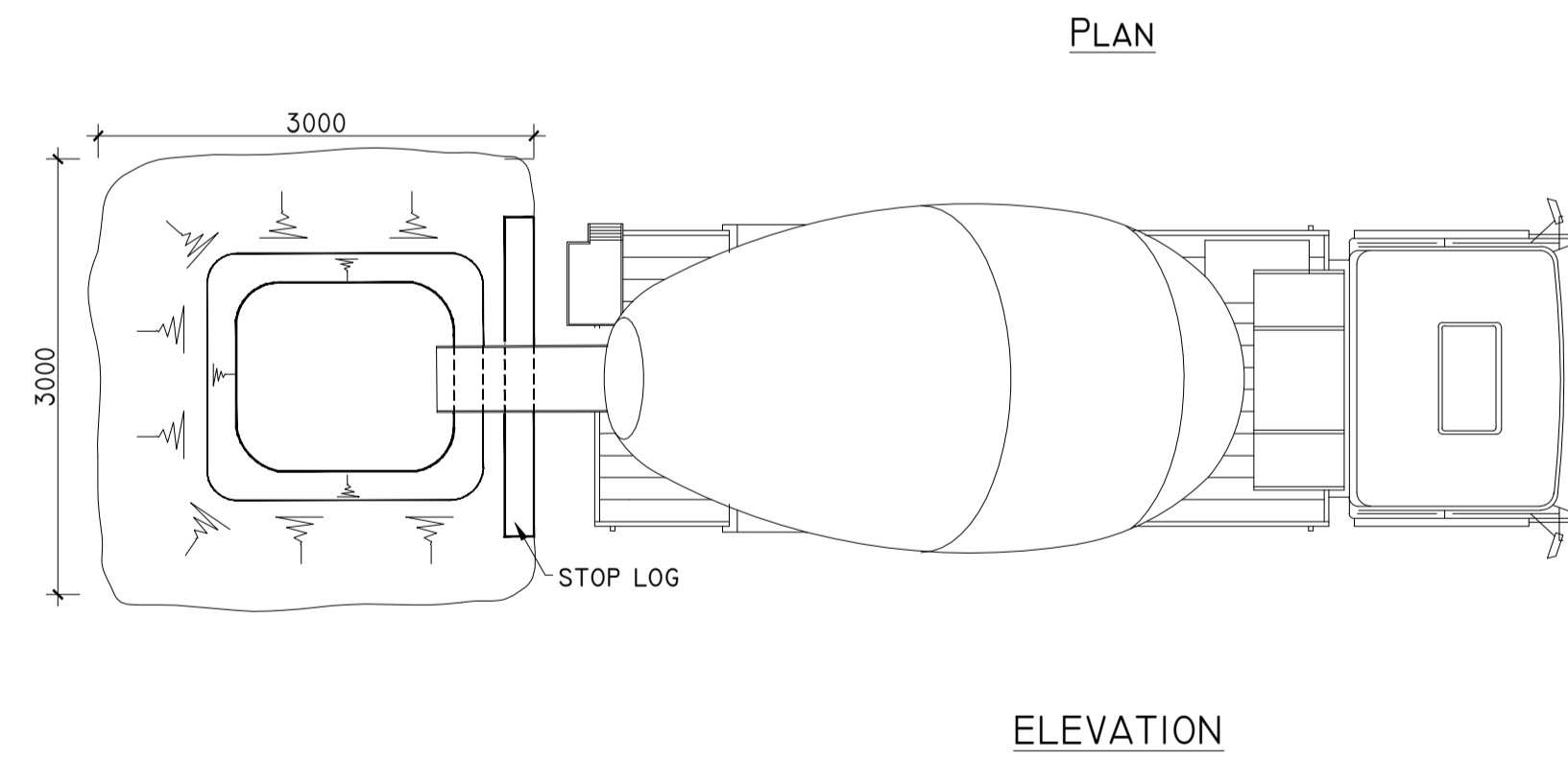
TYPICAL PIPE SPILLWAY DETAIL

SCHEMATIC - NOT TO SCALE

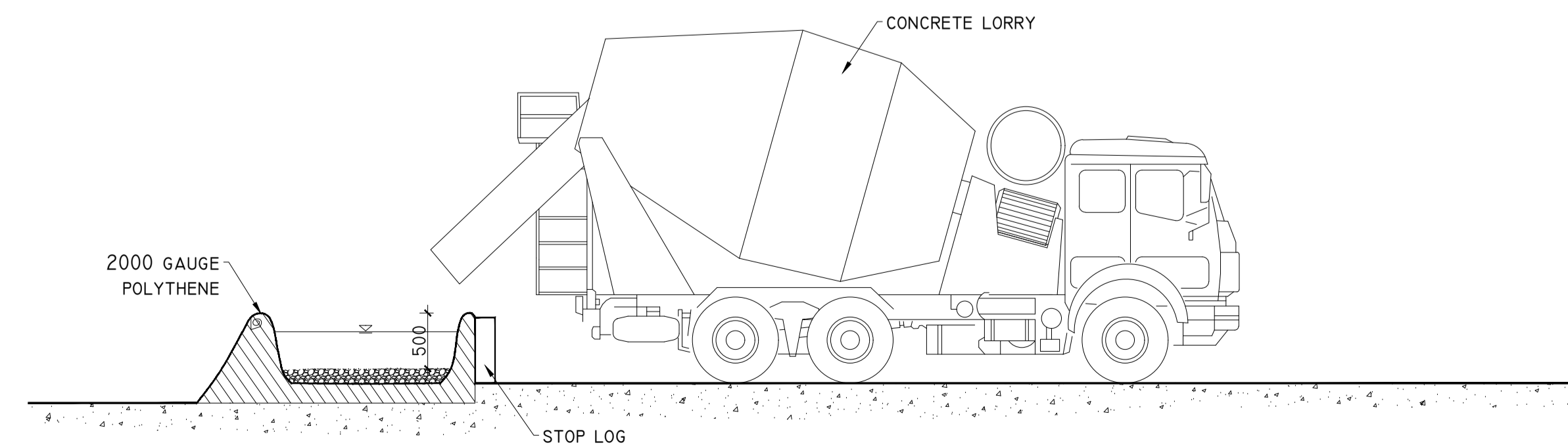


TEMPORARY CONCRETE WASH OUT PIT

SCALE 1:50



DETAIL I



Date	Description	Chkd	Signed
15/07/20	Planning	MG	MG

HYDRO ENVIRONMENTAL SERVICES
 22 Lower Main St
 Dungannon
 Co. Waterford
 Ireland

tel: +353 (0) 58-44122
 tel: +353 (0) 58-44244
 email: info@hydroenvironmental.ie
 web: www.hydroenvironmental.ie

Client: MKO

Job: CAHERMURPHY WF, Co. CLARE

Title: DRAINAGE DETAILS 4

Figure No: 0238 - 28

Drawing No: P1477-0-0720-A1-D504-00A
 Sheet Size: A1
 Scale: as shown (A1)
 Date: 15/07/2020

Project No.: P1477-0
 Drawn By: MG/GD
 Checked By: M.G.